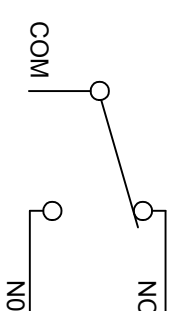
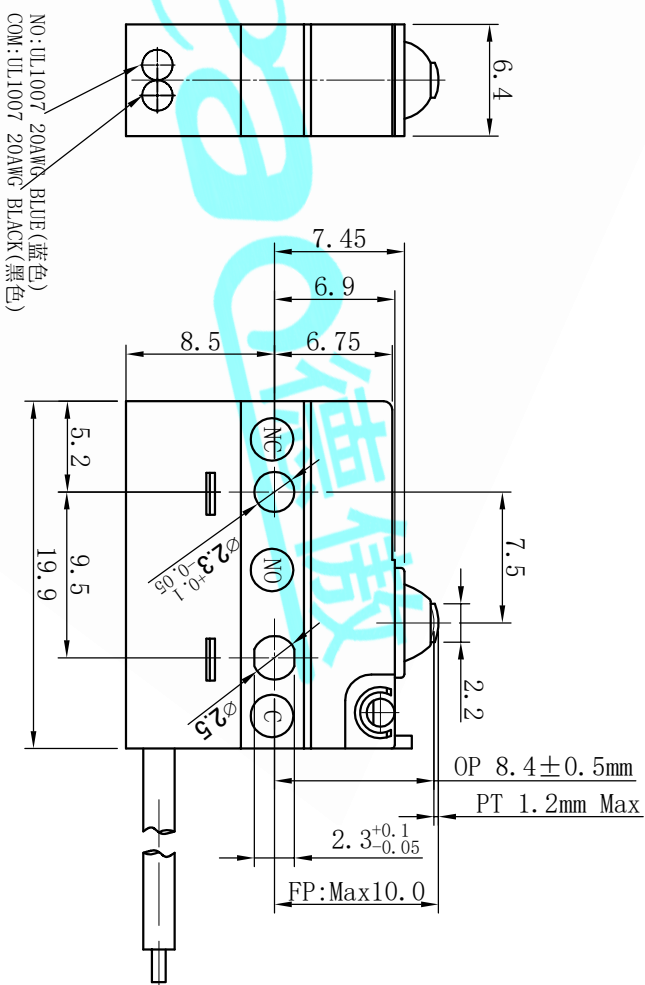
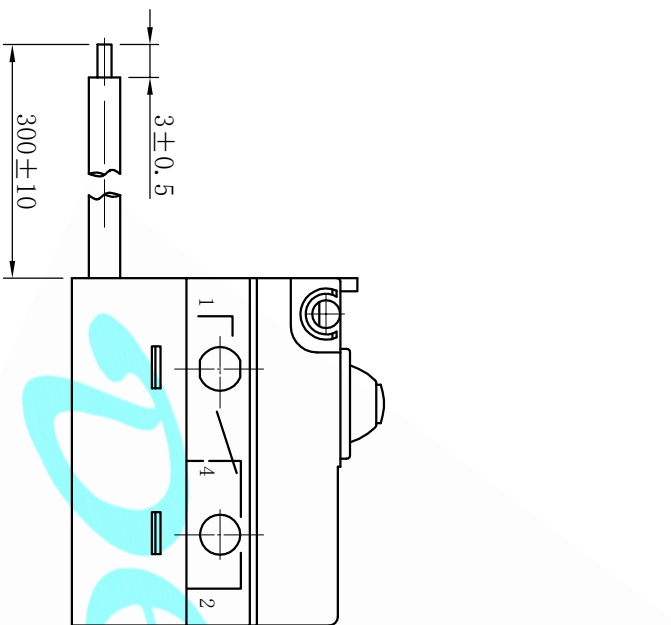
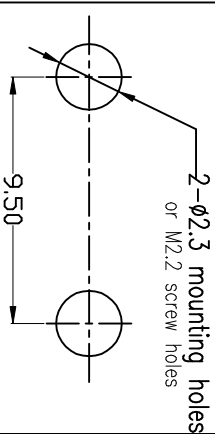


G905-200E00W



Circuit Diagram

Mounting holes



NOTES:
MOUNTING HOLES WILL ACCEPT Ø2.2 MAX PINS OR SCREWS.

CHARACTERISTICS

Operating Force:	200gf MAX.
Release Force:	50gf MIN.
Operation Position:	8.4±0.3MM.
Pre Travel:	1.2MM MAX.
Differential Travel:	0.2MM MAX.
Over Travel:	0.6MM MIN.
Total Travel:	

ELECTRICAL DATA

CONTACT ARRANGEMENT	S.P.D.T	PROTECTION	IP67
Rating			
G905			
5A 125/250VAC			
6A 125/250VAC μ 25T120			



REV	REF	DESCRIPTION	DWN.BY	DATE
TITLE	G9 SERIES MICRO SWITCH	PAGE 1	VERSION REV A	
MODEL	G905-200E00W	DRAWING	CHK BY	APP BY
		JianFeng Luo	Mandy Mao	Luke Luo
PART NO.	G905-200E00W	DATE	DATE	DATE
		2016-6-1	2016-6-1	2016-6-1
TOLERANCES UNLESS OTHERWISE STATED				
	DIMENSION	SCALE	UNIT	mm
	±0.40			
		ANGLE		2°

德傲精密电子有限公司产品规格书

1 2 3 4 5 6 7 8 9 10